

# Aquauno Logica



US

03

ES

21

FR

39



8422

**claber**®



# Table of contents

US

<i>Introduction</i> .....	4
<i>Features</i> .....	5
<i>Operating controls</i> .....	6
<i>Operating tips</i> .....	7
<i>Battery installation</i> .....	8 - 9
<i>Installation on faucet</i> .....	10
<i>Programming</i> .....	11-12
<i>Frequently asked questions</i> .....	13
<i>Trouble shooting</i> .....	14
<i>Routine maintenance</i> .....	15
<i>Parts blowout drawing</i> .....	16
<i>Technical specifications</i> .....	17
<i>Disposal (WEEE)</i> .....	17
<i>Warranty</i> .....	18-19
<i>Declaration of conformity</i> .....	19

## Symbols adopted in the manual



important  
note



additional information

## US Introduction

We are pleased you have chosen the Aquauno Logica water timer, model 8422. This Italian-made timer utilizes the most sophisticated technology and most durable material bringing you years of low maintenance and a worry-free lawn. Read instruction manual carefully before programming and keep it handy for future reference; each section will provide all the necessary information on how to perform the single steps correctly.

This appliance has been designed and manufactured exclusively for programming irrigation systems and is intended for use by competent and experienced adults. Any other use is considered improper; the manufacturer acknowledges no liability for damages arising from improper use and will not recognize claims under Warranty for such damages.

**If you have any questions regarding this water timer, please call our toll free customer service line at 800-930-4566 or email us at [info@claberinc.com](mailto:info@claberinc.com).**

# Features

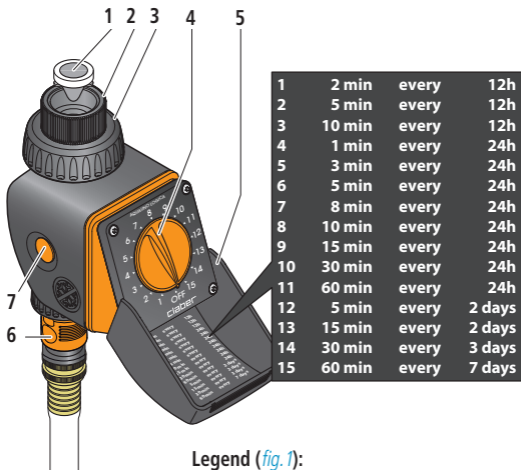
US

The water timer has 15 preset programs that are easily selectable by simply rotating the single-control knob. Watering cycles range from 2 minutes up to 60 minutes and run as little as twice a day up to once a week.

The timer is powered by one 9V Alkaline battery (not included) that must be replaced at the beginning of the watering season and will last for at least one full season.

- Single-control knob to select one of the preset programs listed inside the protective cover.
- 3/4" Female faucet connector with washable stainless steel filter.
- Quick-click® coupling included for fast and easy hose removal.
- Power supply: one 9V Alkaline battery.
- Operating pressure: 2.9 -145 PSI (0.2-10 Bar).

# US Operating controls



## Legend (fig. 1):

1. Washable stainless steel filter
2. 3/4" Female faucet connector with O-ring
3. External ring nut
4. Single-control knob for selecting a program
5. Protective cover
6. Male quick-click® connector
7. Opening side buttons

fig.1

# Operating tips

- Timer starts watering at the time program is selected; no programming in advance.
- Use Alkaline batteries only; do not use lithium or rechargeable batteries.
- Install a new battery at the beginning of the watering season.
- Programs are preset and cannot be modified.
- Regularly wash the filter to prevent clogging.
- Remove from faucet when temperature reaches below 37.4°F (3°C), drain all water and remove battery to avoid oxidation.
- When using for the first time, observe the progress of the program/s to ensure the unit operates properly.
- Be careful when pulling the hose or fittings to prevent damage to the unit.
- Do not use with operating pressure below 2.9 PSI (0.2 Bar) or higher than 145 PSI (10 Bar) and with water temperature exceeding 104°F (40°C).
- Do not install into any type of valve box or under the soil level.
- Do not submerge in water or other liquids.
- Do not let the housing and the internal parts of the timer come into contact with chemicals such as harsh detergents, chlorine, fertilizers, etc.
- Keep the cover closed when not programming to protect against outdoor elements.



- **Keep out of reach of children and animals.**
- **Do not expose at temperature below 37.4°F (3°C).**

## US Battery installation

To install or replace the battery, proceed as follows (*fig.2*):

- Press the two side buttons on the black housing simultaneously (1) to release the front panel (2).
- Insert new 9V Alkaline battery (3) and position the battery into holder (4).
- Slide front panel back into the housing, ensuring side buttons click into place (5).

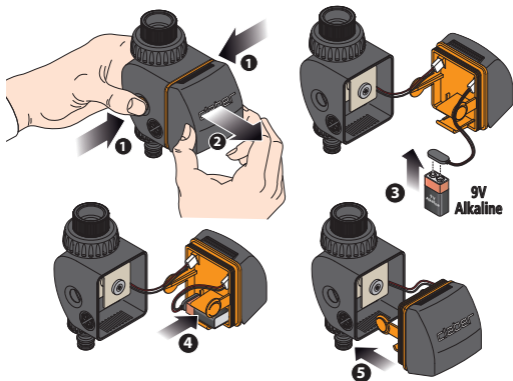


fig.2



## Notes:

- Use only new 9V Alkaline batteries.
- Replace the battery at the beginning of the watering season.
- Program is NOT retained when battery is being replaced.
- Timer is equipped with a safety feature that prevents the opening of the valve if the battery does not have enough power to ensure the valve to close.
- When timer is not in use for an extended period of time, remove the battery to avoid oxidation.
- Do not dispose dead batteries as ordinary household refuse: always replace batteries properly, according to local ordinances.

## US Installation on faucet

Attach the timer to a water tap, following these simple instructions (*fig.3*):

- 1 Tap should have a 3/4" male thread (if not, use an adaptor).
- 2 Screw the 3/4" female faucet connector onto the tap by turning counterclockwise.
- 3 Position the timer in the proper direction and tighten clockwise the external ring nut by hand only without using any kind of tool.
- 4 Screw the male threaded hose end connector into the garden hose and push the quick-click® connector onto the timer.



- Do not install into any type of valve box, underground or indoors.
- Use with tap water only.
- Do not use with operating pressure below 2.9 PSI (0.2 Bar) or higher than 145 PSI (10 Bar) and with water temperature exceeding 104°F (40°C).

# Programming

The water timer automatically manages watering by simple selecting one of the 15 preset programs listed inside the protective cover. Each program features a preset:

- ➔ **DURATION of the watering cycle**
- ➔ **FREQUENCY of the watering cycle**

Both parameters are preset and CAN NOT be changed.

To select and start a program, turn the single-control knob to one of the numbered notches corresponding to the program required ➔ after a few seconds, there will be two clicks: 1st click checks the battery power, 2nd click opens the valve to start watering.

1	2 min	every	12h
2	5 min	every	12h
3	10 min	every	12h
4	1 min	every	24h
5	3 min	every	24h
6	5 min	every	24h
7	8 min	every	24h
8	10 min	every	24h
9	15 min	every	24h
10	30 min	every	24h
11	60 min	every	24h
12	5 min	every	2 days
13	15 min	every	2 days
14	30 min	every	3 days
15	60 min	every	7 days



**Timer starts watering at the time program is selected; no programming in advance, therefore set the timer at the exact time you want it to start watering.**

## US Programming

*Example: If program 3 is selected at 11a.m. which is for 10 minutes of watering every 12 hours, the first program will start within 10 seconds of selection then proceed every 12 hours on the 11:00 hour.*

To change the program, simply turn the single-control knob to the new desired program at the time of day the new program needs to start → timer blocks a watering cycle that may be in progress → after a few seconds, there will be two clicks: timer starts watering.



**Any rotation of the knob interrupts a possible watering in progress and cancel the previous settings.**

# Frequently asked questions

US

**1**

**Do I have to reprogram the timer after replacing the battery?**

Yes because program is lost while the battery is being replaced.

**2**

**Will the program set be cancelled if I turn the knob by accident?**

Any rotation of the knob:

- blocks a watering that may be in progress;
- cancels the previous settings: thus, the water timer needs to be reprogrammed.

**3**

**Can the timer be left outdoors during the winter months or attached to the faucet all year long?**

No, during winter and/or when not in use, always set the timer to "OFF" position and store it in a dry place at a temperature no lower than 37.4°F (3°C), remembering to remove the battery.

**4**

**How much water is delivered per minute?**

Use chart below as a reference; chart is based on timer being tested at different PSI levels.

PSI						
5	10	15	30	40	50	80
↓	↓	↓	↓	↓	↓	↓
1.8	2.9	4.2	5.9	7	7.9	9.2
Gallon/minute						

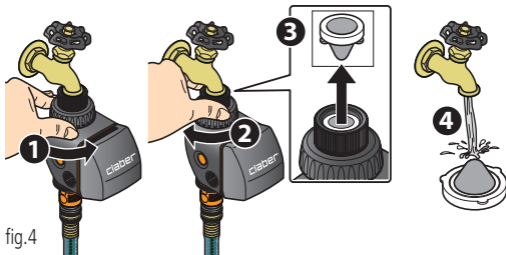
## US Troubleshooting

The following table provides useful instructions for safely dealing with possible malfunctions that you might encounter during the use of the watering system.

PROBLEM	SOLUTION
The timer does not work	<i>Battery is dead or has not been fitted correctly (see "Battery installation", page 8-9).</i>
	<i>Timer is faulty: contact CLABER INC. customer service line at 800-930-4566 or email info@claberinc.com</i>
The timer works but does not water	<i>No water supply: inspect and restore.</i>
	<i>Check:</i> <i>- the status of the filter and clean it if necessary (see "Routine maintenance", page 15);</i> <i>- the correct connection of the watering line.</i>
	<i>Problems to the solenoid valve inside the water timer; contact CLABER INC. customer service line at 800-930-4566 or email info@claberinc.com</i>
The timer does not water at the required time or for the duration required	<i>Check that the knob is actually placed on the program that meets your watering needs; for example, it may have been moved inadvertently causing the previous program to be cancelled so timer must be reprogrammed (see "Programming", page 11-12).</i>

# Routine maintenance

- Periodically, check and clean the filter under running water (*fig.4*).
- Clean impurities inside and outside the unit using a soft cloth moistened slightly with water. Do not use abrasive pads or scourers, or detergents with a high acid content.
- Check that all wires are in good condition.



During winter, and/or when the timer is not in use, always remove the battery and store in a dry place at a temperature no lower than 37.4°F (3°C).



Disassembly or tampering of the unit by unauthorized personnel voids the Warranty.

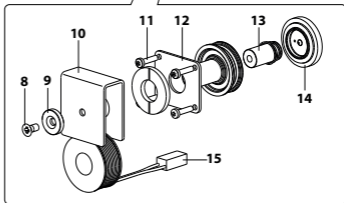
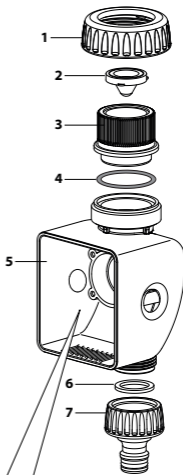
# US Parts blowout drawing

## Description

1. 1-1/4" External ring nut
2. Stainless steel filter
3. 3/4" Female faucet connector
4. NBR O-ring
5. Valve body
6. O-ring
7. 1/2" Female connector
8. Screw M4x8
9. Spacer for solenoid
10. Bracket
11. Screws (x4) for magnet flange
12. Magnet group with bushing and flange\*
13. Piston
14. Membrane valve
15. Solenoid with upward cable\*\*

\* white side of the magnet must be UPFRONT

\*\* wire cable must be UPWARD





# Technical specifications

Power supply:	1 x 9V Alkaline battery
Average life of battery:	1 year
Ingress protection:	IP 20
Operating temperature:	37.4°F - 104°F (3°C-40°C)

Operating pressure:	MAX: 145 PSI (10 Bar) MIN: 2.9 PSI (0.2 Bar)
---------------------	---

Plastic materials:	>ABS< >PC< >POM< >TPE<
--------------------	---------------------------------

## Disposal (WEEE)



The symbol in question applied to the product or the packaging indicates that the product must not be considered as ordinary household refuse, but must be disposed according to local ordinances for the collection and recycling of waste electrical and electronic equipment.

## US Warranty

**Product is warranted for a period of 2 years from date of purchase with proof of purchase.**

Claber, at its own discretion, will repair or replace defective parts of the unit if operated under normal working conditions.

The warranty is void in the event of:

- Lack of physical proof of purchase (invoice or receipt).
- Use or maintenance different from what is specified in this manual.
- Disassembly or tampering by unauthorized personnel.
- Faulty installation of the product.
- Damages from atmospheric agents (e.g. temperature lower than 37.4°F /3°C)
- Damages from chemical agents (e.g. chlorine, fertilizer, etc.).

Claber shall not be liable for damage on products manufactured by other companies when combined in use.

Claber, at its own discretion, may require product or parts to be returned to the Warranty Department. All shipping charges and risks are incurred by customer.

If coverage is found, product or parts will be repaired or replaced. Please allow 3-4 weeks to process return.

All repairs or replacements are warranted only for the remainder of original warranty period, started at date of purchase.

Charges may incur if warranty coverage is not applicable.

To ensure warranty coverage, serial number (i.e. 986 1383, located inside orange face plate identified by 7 or 8 digit code) and a copy of sales receipt should be sent within 30 days after purchase in one of the following ways:

**1. MAIL**

Claber, Inc  
191 Stanley Street  
Elk Grove Village, IL 60007

WRITE THE SERIAL NUMBER

--	--	--	--	--	--	--	--

**2. FAX**

Fax: 847.364.4588

**3. EMAIL**

info@claberinc.com

Please note that if above information is not on file at time of contact, this may cause delay or refusal of warranty fulfillment. For any further information on customer assistance, you may contact Claber Inc. at toll free 1-800-930-4566.

## CE Declaration of conformity

**Claber S.p.A.**

Via Pontebbana 22 – 33080 – Fiume Veneto – Pordenone Italy

Assuming full responsibility, we declare that the product:

**8422 - AQUAUNO LOGICA water timer**

complies with European directives 2004/108 with reference to technical standards:

IEC EN 61000-6-1 :2007;

IEC EN 61000-6-3 :2007.

Fiume Veneto, 31/01/2015

CE 12

Certification Officer  
Aw. Oliviano Spadotto

